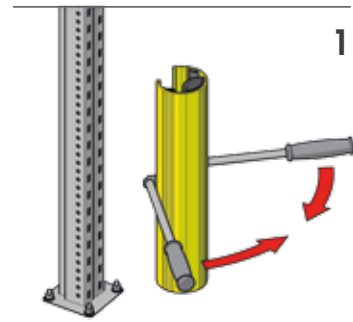
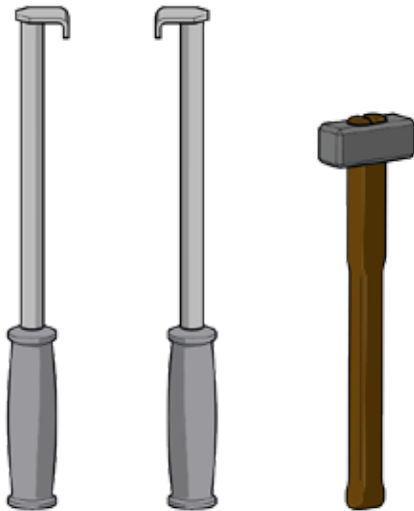
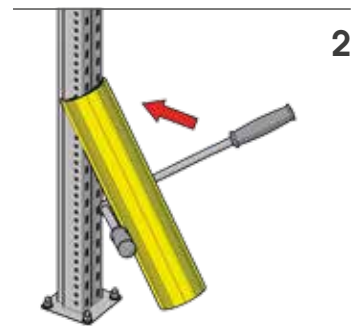


RPS/RPM/RPL/RPXL

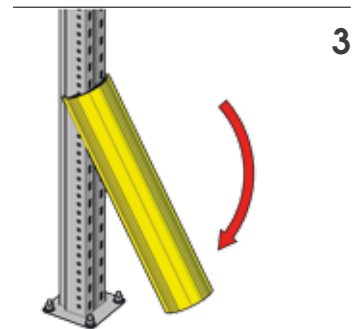
ISTRUZIONI DI INSTALLAZIONE
ASSEMBLY INSTRUCTIONS



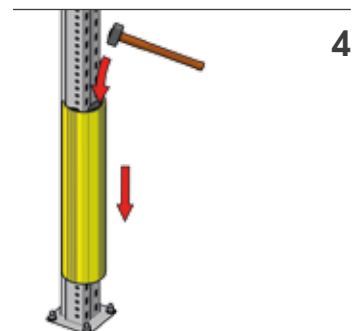
1



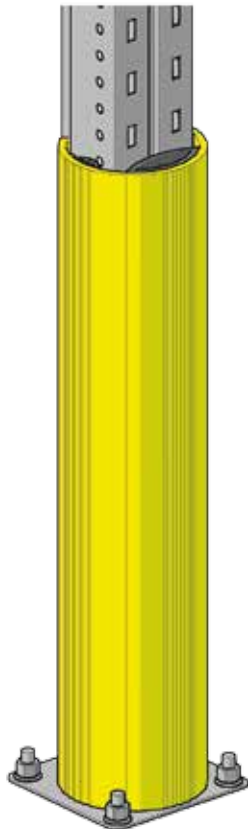
2



3

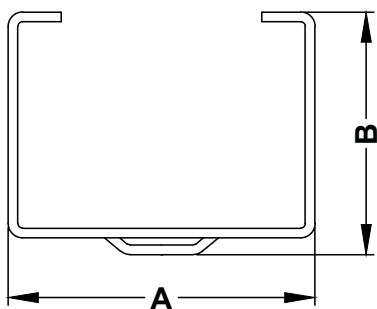
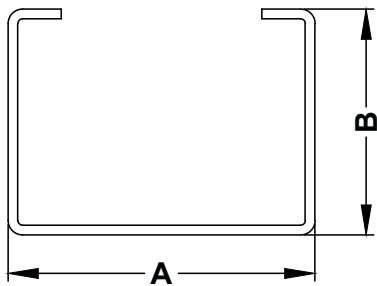
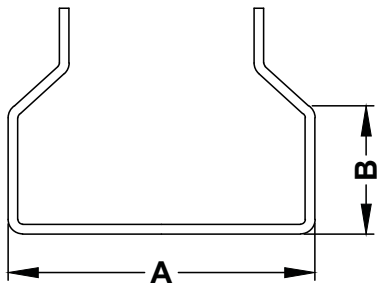
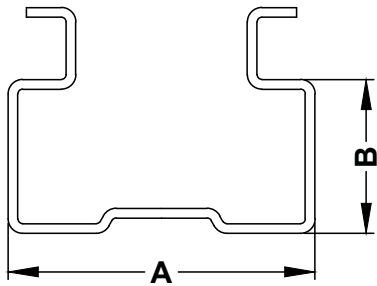


4



UPRIGHT SIZE LAYOUT

PLEASE **CHECK SIZE** MENTIONED AS "A" AND "B"
ON YOUR UPRIGHT IN ORDER TO CHOOSE THE RIGHT PVC PROTECTOR
CUSTOMIZED PROTECTORS AVAILABLE ON REQUEST



RACK PROTECTOR	A	B
RPS	70	50
	75	50
	76	50
	80	35
	80	40
	80	42
	80	45
	80	50
	85	45
	90	35
RPM	80	57
	80	60
	90	45
	90	48
	90	50
	90	60
	100	45
RPL	100	50
	100	55
	110	55
	110	60
	120	60